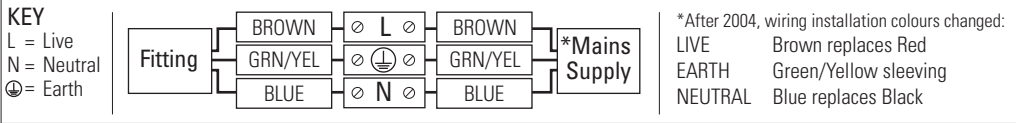


Safety & Installation Instructions

These instructions are provided for your safety in order to prevent the risk of Fire, Electric shock or Injury. It is vitally important that they are read in their entirety before installing your fitting. Please retain for future reference.

1. If you are in any doubt consult a qualified electrician as to the installation of the fitting. Install in accordance with current IEE wiring regulations. It is recommended that this fitting is installed by a qualified electrician.
2. Ensure that the electrical supply is OFF. Disconnect the electrical supply at the fuse-board.
3. If removing an existing fitting first, note all wiring connections: record which of the house wires is connected to the live, neutral and earth terminals.
4. Carefully identify where the supply cable is (and check there are no other cables in the area) to avoid damage to concealed wiring during installation.
5. Position the light where desired ensuring that there is suitable support adjacent to where you will connect to the house supply and mark position of fixing holes, before drilling appropriate holes as below.
6.
 - a. Brick or masonry: Drill holes into which the wall plugs tightly fit, then insert wall plugs.
 - b. Wood: No hole necessary (unless small pilot hole required), screws can be screwed directly into the timber.
 - c. Plaster/Cavity: Special cavity wall fittings are required, rather than provided fixings. These are widely available from good hardware or DIY store and should come with their own instructions that must be followed. It may be easier to relocate the fitting so that you screw directly into a timber joist or beam.
7. Support the fitting so that no strain is applied to the wiring when making the electrical connections. If necessary get a colleague to help.
8. Electrical connection: this light fitting must be earthed. Make connections following the diagram below. A small flat-head screwdriver is required.



9. Double check all the connections are secure and that no loose strands of wire are left out of the connector, Use a good quality electrical insulation tape to cover the connector blocks and at least 25mm of the cables going in to either end of the connectors.
10. Check that no wires are trapped behind or within the fitting and complete the installation, referring to the Installation diagram inside.
11. Fit the correct type and wattage of lamp (or less). Be careful not to overtighten the lamp.
12. Switch on at the fuse-board. Your light fitting is now ready for use.

Other Important Information

Switch off at mains before changing lamp(s). Never fit a lamp of greater wattage than recommended. Ensure children do not play with the light fitting. Dispose of old lamps carefully. Never leave a fitting without a lamp in position (or someone can accidentally touch the contacts). Adjust fitting only when power to the fitting is off and has been left to cool. If the electrical flex or electrical components become damaged at any point, power to the fitting should be disconnected immediately and not operated until the damaged parts are fixed/replaced. For use in a dry, indoor environment only. Ensure the fitting does not come into contact with any liquids.

Cleaning and Maintenance

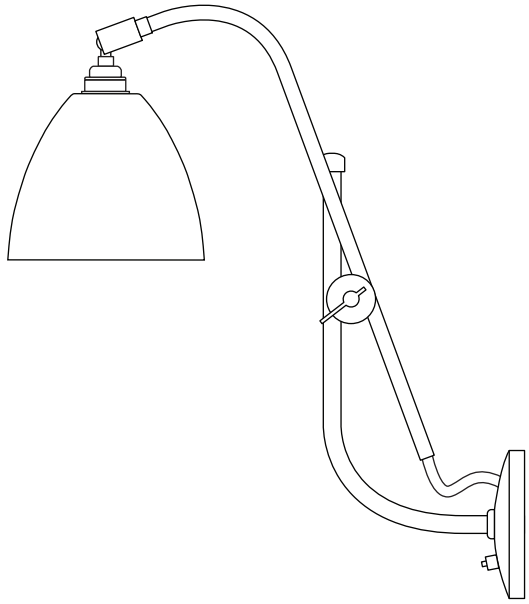
Metal finishes should only be cleaned with a soft, dry cloth. Do not use polishes or abrasives. Bone china can be cleaned by hand, using a soft damp cloth with a diluted mild detergent (nonabrasive) if necessary. Switch off power to the fitting before cleaning.

Established in 1990, Original BTC manufactures relaxed, familiar lighting for traditional and contemporary homes. All products are hand-assembled in Oxford from high quality components, produced in the UK.

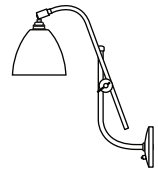
ORIGINALBTC.COM
 +44 (0)1993 882 251
 UNIT 21 / 22 AVENUE ONE, STATION LANE, WITNEY, OX28 4XZ, ENGLAND



Task Wall Light Instruction Manual



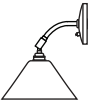
Wall
FW341



Short Wall
FW390



Ceramic
FW437



ORIGINAL BTC
 BRITISH LIGHTING MANUFACTURERS
 LONDON - NEW YORK - PARIS






Task Wall Light

| 230V ac 50Hz | IP20 |

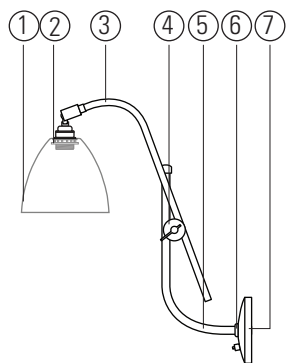
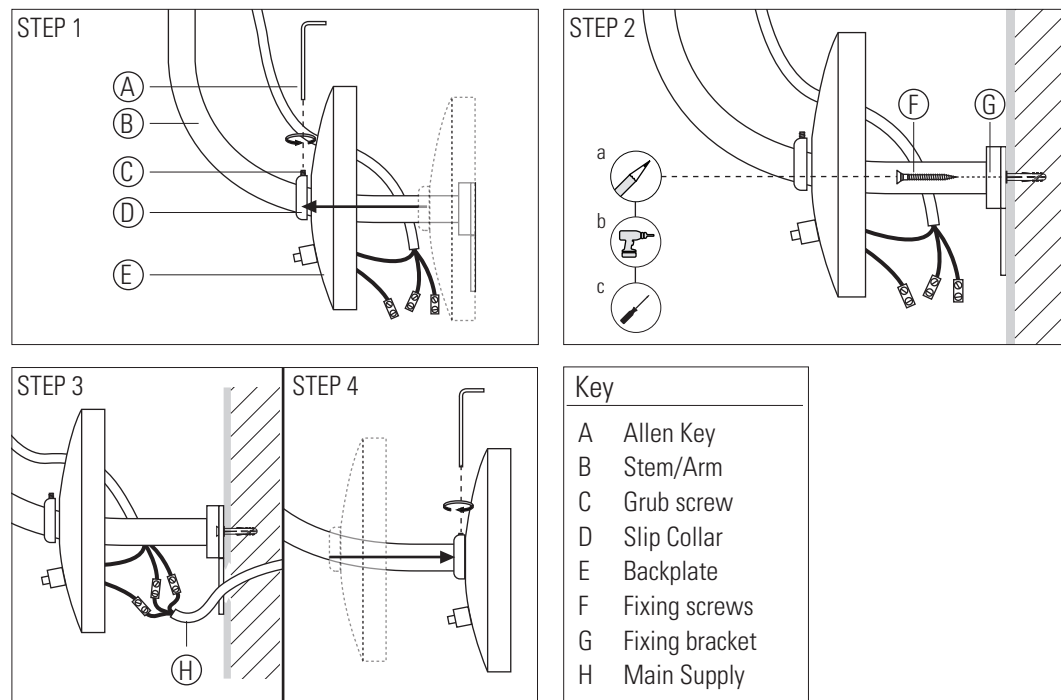
- FW341 Task Wall
- FW390 Task Short Wall
- FW437 Task Ceramic

The Task Wall lights, can be moved, angled or adjusted bringing greater flexibility and creative scope, while focussing a high level of illumination directly where it is needed. Shades can be angled and swivelled, to throw either a concentrated pool or illuminate a larger area.

LAMP GUIDANCE Task Wall				
BASE	SHAPE	TYPE*	WATTAGE**	
		INCANDESCENT ✓	60W MAX	
		CFL ✓	15W	
		ECO-HALOGEN ✓	42W	
		LED ✓	10W	

* Warm white (2700k) low energy lamps recommended.
 ** Wattage value provided as a guide to suitable lamps. Lower wattage than stated may be used.

Installation Diagram



Contents

- 1 - Shade
- 2 - Shade ring x 2
- 3 - Arm
- 4 - Clamp*
- 5 - Stem*
- 6 - Slip Collar
- 7 - Backplate
- 8 - 2 x fixing screws
- 9 - 2 x rawl plugs
- 10 - Allen key

*FW390 Only

Required for Installation

- Screwdriver, flat-head
- Small screwdriver, flat-head
- Drill (if holes are required)

Fixing Pack



PLEASE READ THE INSTRUCTIONS ON THE REVERSE BEFORE YOU BEGIN INSTALLING YOUR LIGHT

Installation and Assembly Instructions

Refer to diagrams on opposite page.

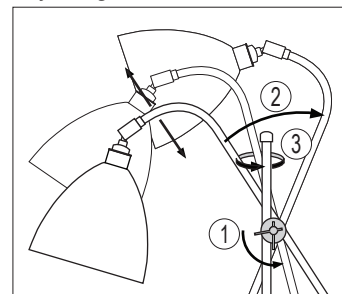
STEP 1
Loosen slip collar (D), by unscrewing grub screw (C) using Allen key (A) provided. This will allow the backplate (E) to be moved along the stem/arm to access fixing bracket.

STEP 2
Mark fixing holes through fixing bracket (G) before drilling holes, see point 5 on reverse. Ensure holes are level and straight, then screw fixing bracket to the wall, ensuring fitting is securely fixed to the wall.

STEP 3
Make electrical connection to mains supply, see points 7 to 10 on reverse page.

STEP 4
Slide backplate (E) over fixing bracket, so that it is flush with wall and straight, before securing in position by pushing collar up to backplate and tightening grub screw so the collar securely holds the backplate in position.

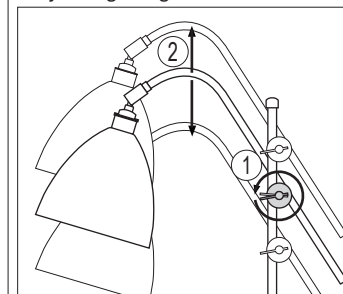
Adjusting Position of Arm*



- 1 Loosen the handle of the clamp, by gently turning clamp by one quarter turn in an anti-clockwise direction.
- 2 Position arm into desired position, then secure by tightening handle of clamp firmly. Do not overtighten.
- 3 The arm may be rotated, when held in the clamp by gently twisting the arm while holding the clamp in position.

*FW390 Only

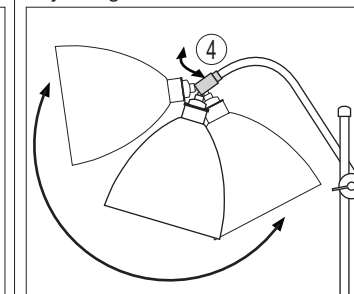
Adjusting Height of Arm*



- 1 Loosen the handle of the clamp, by gently turning clamp almost one full turn in an anti-clockwise direction.
- 2 While supporting both clamp and arm, position arm at desired height, then secure by tightening handle of clamp firmly. Do not overtighten.

*FW390 Only

Adjusting Shade



- The swivel joint allows great flexibility of movement, allowing the shade to be tilted or rotated into position as desired.
- Adjust angle of shade by gently pivoting shade on swivel joint (4)- tilting up/down up to 90° or rotating up to 180° in either direction.

⚠ When adjusting the clamp, ensure it is supported with other hand and take care not to loosen the handle too far, as this can cause the handle to detach from the clamp body and fall from the fitting, causing damage/injury.