

FLOS

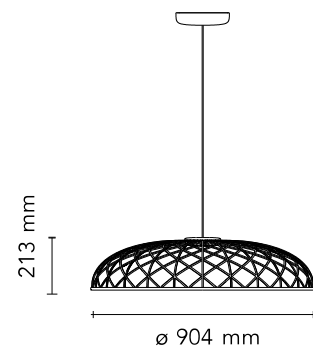
■ F6392031 Anthracite

Skynest Suspension

Designed by Marcel Wanders, 2022

78W - 2001lm - 2700K - CRI> 90

Diffuse lighting hanging appliance. The dome is a combination of luminous and dark elements arranged into a network and formed of core structures covered with a thin interwoven colourful tubular mesh made from recycled and recyclable fabric produced from polyester. Every single luminous element is powered by special micro-connectors located at the top of the dome and is covered with a two-tone mesh, while the side facing the inside of the dome is always white in order to allow for optimal light emission from the LED module. The appliance is fitted with a built-in balancing system at the top of the dome which helps adjust its balance, making it perfectly stable. The bottom of the dome is completed by an aluminium ring that keeps the dome's entire network structure in place through a simple snap-fit system. The product is assembled with absolutely no glue so it can be fully separated to be recycled in the future and in case of any repairs or replacements. Available lamp finishes: Blue Tourmaline, Almond, Anthracite or Brick Red. Plastic ceiling rose painted with the same finish as the lamp, fitted with built-in electronics that allow for the use of different dimmer systems: 0-10V / 1-10V / DALI / PUSH."



Are you a professional and your project needs consulting and support?

[BOOK AN APPOINTMENT](#)

Download

Mounting instructions [↓ PDF](#)

Photometric Files

LDT / IES [↓ ZIP](#)

Technical Drawings

2D [↓ DWG](#)

3D [↓ ZIP](#)

Main specifications

| | |
|-------------------|---------------------|
| EAN | 8059607051849 |
| Mounting | Suspension |
| Environments | Indoor dry location |
| Light Source Type | LED |
| LED type | LED Module |
| Power (W) | 78 |
| System power (W) | 78 |
| System flux (lm) | 2001 |

Physical

| | |
|-----------------------|------------|
| Colour | Anthracite |
| Length (mm) | 904 |
| Cord length (mm) | 2700 |
| Canopy dimension (mm) | 51 |
| Canopy width (mm) | 216 |
| Net weight (kg) | 4.1 |
| Package height (mm) | 250 |
| Package width (mm) | 1000 |
| Package length (mm) | 1000 |
| Package volume (m3) | 0.28 |
| IP internal | 20 |

Ecodesign and Energy Labelling

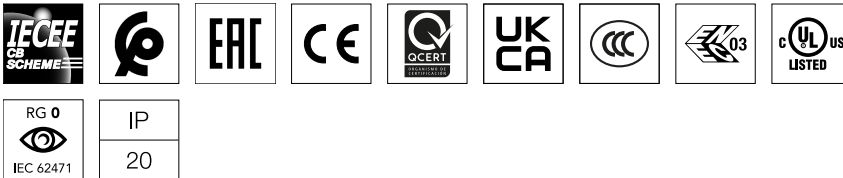
This product contains a light source of energy efficiency class F



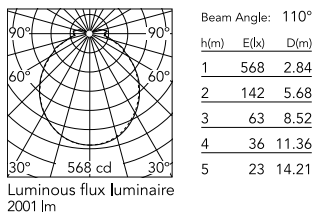
Replaceable (LED only) light source by an end-user



Replaceable control gear by a professional



Schematic light drawing



Photometric

| | |
|--------------------|-----------|
| Light distribution | Symmetric |
| CCT (K) | 2700 |
| CRI> | 90 |

Electrical

| | |
|----------------------|---|
| Insulation class | I |
| Frequency (Hz) | 50/60 |
| Main voltage (Vac) | 100-240 |
| LED voltage Vf (Vdc) | null |
| Driver | Integrated |
| Dimmable | Yes |
| Dimming type | Dimmable 0-10V, Dimmable Push, Dimmable 1-10V, Dimmable DALI 1 |
| Dimming interface | Remote Dimmable (Dimmer Not Included) |

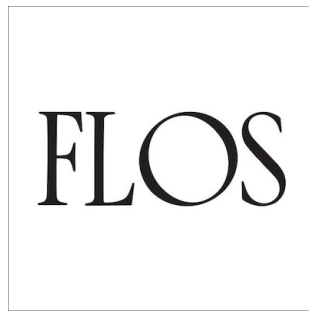
Spare Parts



| | | |
|-----|--|---------|
| 00. | 12-48V Led Dimmer | RF26994 |
| 00. | Driver 100W 100-277V | RF33061 |
| 00. | Skynest Rose with Riveted Magnets Black | RF34376 |
| 00. | Assembly Led Arm for Skynest Black | RF34720 |



RF26994
12-48V Led Dimmer



RF33061
Driver 100W 100-277V



RF34376
Skynest Rose with Riveted
Magnets Black



RF34720
Assembly Led Arm for Skynest
Black