

■ F7543031 Matte Black

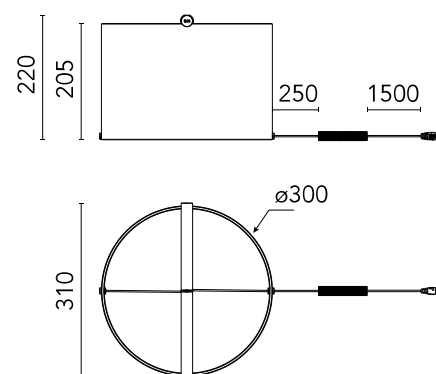
## To-Tie T3 NEW

Designed by Guglielmo Poletti, 2022

10W - 495lm - 2700K - CRI> 90



Designed by Guglielmo Poletti Table lamp providing diffused light. Clear glass cylindrical lamp body available in multiple sizes. The handle is made of aluminum and also acts as a light emitter. Multi-led diffuser in specially designed white polycarbonate to avoid the Multi Shadow effect and dazzle. High efficiency LED source with a lifetime of more than 50.000 hours. Electric cable of useful length 180 cm, covered in black fabric and equipped with dimmer switch for ON/OFF and adjustment of the light flow between 10-100%. Plug-in power supply with interchangeable plugs. To-Tie is a future-proof lamp as no glue is used to assemble its different parts. The product can therefore be separated, replaced individually, and recycled separately.



Are you a professional and your project needs consulting and support?

[BOOK AN APPOINTMENT](#)

### Main specifications

EAN	8059607047637
Mounting	Table
Environments	Indoor dry location
Light Source Type	LED
LED type	LED Module
Power (W)	10
System flux (lm)	495

### Physical

Colour	Matte Black
Length (mm)	310
Net weight (kg)	2.7
Package height (mm)	320
Package width (mm)	395
Package length (mm)	395
Package volume (m3)	0.05
IP internal	20
H2O stop	No

### Download

Mounting instructions [↓ PDF](#)

### Photometric Files

LDT / IES [↓ ZIP](#)

### Technical Drawings

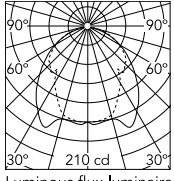
2D [↓ ZIP](#)

3D [↓ ZIP](#)



IP
20

## Schematic light drawing



## Photometric

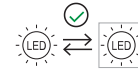
Light distribution	Asymmetric
CCT (K)	2700
CRI>	90

## Electrical

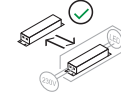
Insulation class	III
Frequency (Hz)	50/60
Main voltage (Vac)	24
LED voltage Vf (Vdc)	24.00
LED current (mA)	500
Driver	Remote included
Dimmable	Yes
Dimming type	Electronic 24V
Dimming interface	Dimmer Integrated
Plug type	Type G, Type A, Type C

## Ecodesign and Energy Labelling

This product contains a light source of energy efficiency class F



Replaceable (LED only) light source by an end-user



Replaceable control gear by an end-user

## Spare Parts



00.	Assembly Coaxial Connector	RF3390130
00.	Led Board with connectors for To-Tie T3	RF7543200
01.	Black plug assembly kit & 24V driver	RF3320100
02.	Assembly Body for To-Tie T3 Black	RF7543131
03.	Base for To-Tie T3	RF7543100



RF3390130  
Assembly Coaxial Connector



RF7543200  
Led Board with connectors for  
To-Tie T3



RF3320100  
Black plug assembly kit & 24V  
driver



RF7543131  
Assembly Body for To-Tie T3  
Black



RF7543100  
Base for To-Tie T3